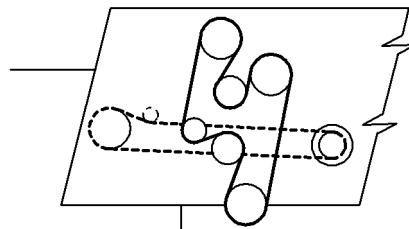


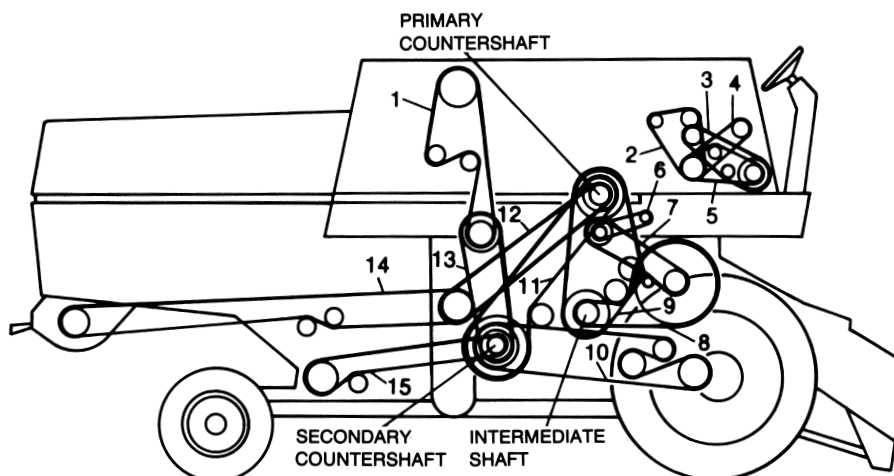
Left-Hand Side

Key	Qty.	Serial No.	Part No.	Description
1	1		AH76154	Platform and corn head lower variable (matched set of 3)
	1		AH89436	Platform and corn head lower variable (matched set of 3) (Sidehill)
2	1	(-254350)	P46553	Platform and corn head middle variable
	1	(254351-)	H84441	Platform and corn head middle variable
3	1	(-11500)	AH75638	Primary countershaft (matched pair)
	1	(11501-)	H84462	Primary countershaft
	1	(-305672)	H84462	Primary countershaft (Sidehill)
	1	(305673-)	H108175	Primary countershaft (Sidehill)
4	1		H76150	Unloading auger countershaft
	1	(-305672)	H76150	Unloading auger countershaft (Sidehill)
	1	(305673-)	H84424	Unloading auger countershaft (Sidehill)
5	1		H77683	Hydrostatic reel pump
6	1	(-254050)	H76030	Platform and feeder house upper
	1	(254051-)	H76030	Platform and feeder house upper (except corn variable speed feeder house drive)
	1	(254051-)	H23927	Platform and feeder house upper (corn variable speed feeder house drive)
7	2		H75847	Propulsion (belt drive)
	2	(-156500)	H88576	Propulsion (hydrostatic drive)
	1	(156501-)	AH84633	Propulsion (hydro drive) (matched set of 2)
8	1		H26858	Straw spreader
9	1		H108668	Cleaning fan, 66-1/2-in. long
10	1	(-9582)	T12042	Charge pump (hydrostatic drive)
	1	(9583-)	T199T	Charge pump (hydrostatic drive)
11	1		H77765	Platform and feeder house, lower (regular)
	1		H79796	Platform and feeder house, lower (long)
12	1		H77766	Feeder conveyor (regular feeder house)
	1		H125380	Feeder conveyor (long feeder house)



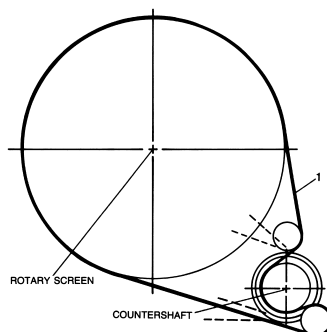
Gear Case Loading Auger Extension (Serial No. 156501-)

Key	Qty.	Serial No.	Part No.	Description
1	1		H77766	Clean grain elevator



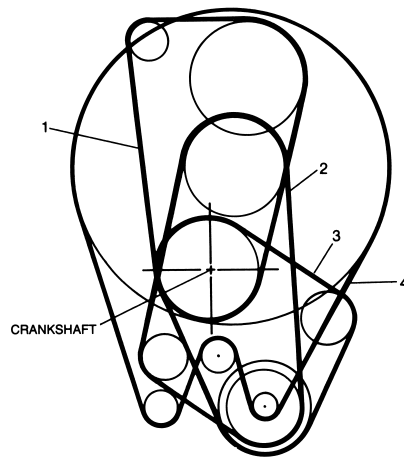
Right-Hand Side

Key	Qty.	Serial No.	Part No.	Description
1	1		H23950	U-joint loading auger
2	1	(-105800)	H80897	Alternator and water pump
3	1	(-105800)	H86271	Engine fan
4	1	(-105800)	H80896	Compressor
	1	(105801-106500)	H77683	(329 Diesel)
	1	(156501-)	H86275	(6329DH-01)
	1		H87459	(640DH)
	1	(-305672)	H87459	(6404DH) (Sidehill)
	1	(305673-)	R71603	(6404TH) (Sidehill)
5	1	(-105800)	H79235	(6329GH-02 and 6404DH-01)
	1		H85377	(6404DH)
6	1		H83077	Cylinder tachometer
7	1	(2252-105800)	H86061	Rotary deflector
	1	(105801-)	H86039	Rotary deflector
8	1		AH80505	Cylinder (280-845 RPM) (matched set of 3)
	1		H96423	Cylinder (289-873 RPM) slow speed intermediate shaft
			AH80503	Cylinder (407-1,228 RPM) (matched set of 3)
9	1		H113749	Cylinder, intermediate shaft
10	1		H77010	Shoe grain supply augers
11	1		H77019	Secondary countershaft
12	1		H138762	Straw chopper
13	1		H27433	Clean grain elevator countershaft
14	1		H79789	Straw chopper
15	1		N110085	Tailings, lower auger (use with AH75988)



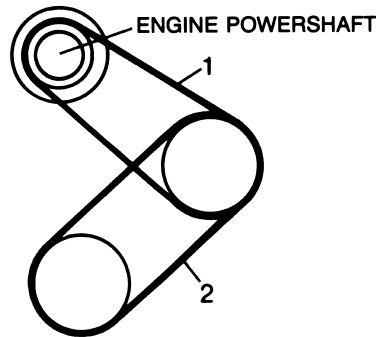
Rotary Screen (Retro-Fit Cooling System) (Serial No. -105800)

Key	Qty.	Serial No.	Part No.	Description
1	1		H87296	Rotary screen



Engine (6404DH—Serial No. 105801-); (6404TH—Serial No. 305673-)

Key	Qty.	Serial No.	Part No.	Description
1	1	(-156500)	H80896	Alternator and water pump (6329GH-02)
	1	(-208510)	H80896	Alternator and water pump (6329DH-01)
	1	(208511-)	H82724	Alternator and water pump (329DH-01)
	1		H85377	Alternator and water pump (6404DH)
	1	(-305672)	H85377	Alternator and water pump (640DH) (Sidehill)
	1	(305673-)	H79236	Alternator and water pump (6404TH) (Sidehill)
2	1		H86272	Engine fan (6329GH-02 and 6329DH-01)
	1		H86271	Engine fan (640DH)
3	1	(-156500)	H86274	Engine fan and rotary screen drive shaft (6329GH-02)
	1		H86274	Engine fan and rotary screen drive shaft (6329DH-01)
	1		H137207	Engine fan and rotary screen drive shaft (6404H)
	1	(-305672)	H137207	Engine fan and rotary screen drive shaft (Sidehill)
	1	(305673-)	H86273	Engine fan and rotary screen drive shaft (6404TH) (Sidehill)
4	1		H86259	Rotary screen



Propulsion Drive (Posi-Torq Drive) (Serial No. 156501-)

Key	Qty.	Serial No.	Part No.	Description
1	1		AH21301	Propulsion upper (matched set)
	1	(-305672)	AH21301	Propulsion upper, Sidehill (matched set)
	1	(305673-)	AH87127	Propulsion upper, Sidehill (matched set)
2	1		H75846	Propulsion lower