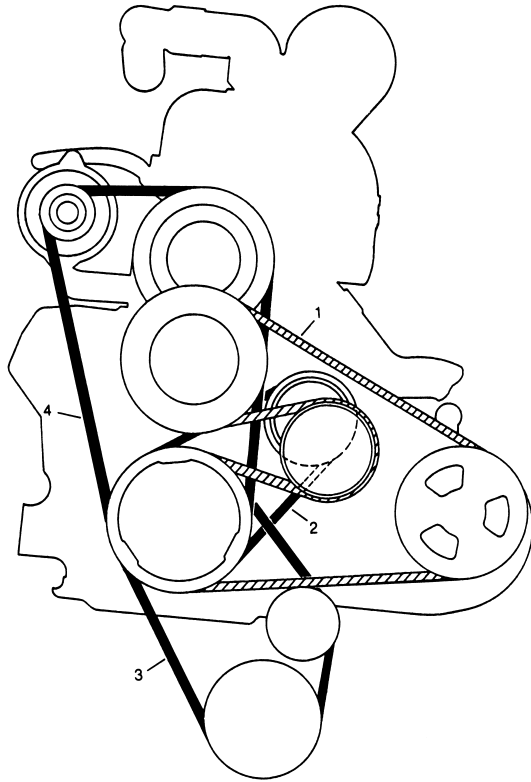


**6620 | Engine Drive**

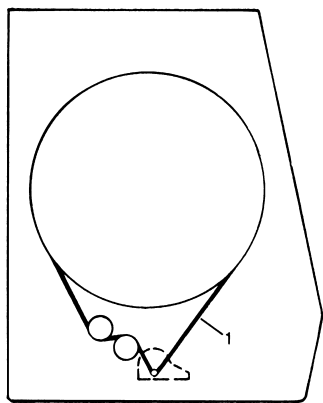
| Key | Qty. | Serial No. | Part No. | Description  |
|-----|------|------------|----------|--|
| 1   | 1    |            | H79236   | Alternator and water pump<br>(6466DH-01 and 6466TH-01) |
| 2   | 1    | ( -600000) | R71603   | Compressor, air conditioner                            |
|     | 1    | (600001- ) | H113565  | Compressor, air conditioner                            |
| 3   | 1    |            | H86272   | Engine fan   |
| 4   | 1    |            | H86273   | Rotary screen drive shaft                              |

**7720**

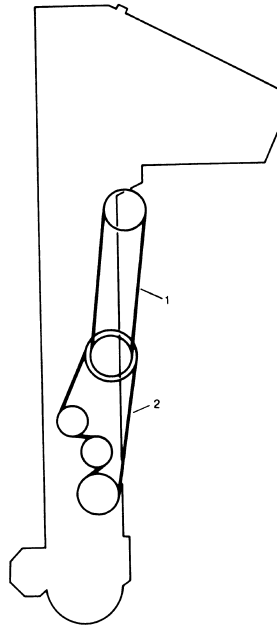
| Key | Qty. | Serial No. | Part No. | Description   |
|-----|------|------------|----------|---|
| 1   | 1    |            | H79236   | Alternator and water pump<br>(6466TH and 6466TH-02) |
| 2   | 1    | ( -600000) | R71603   | Compressor, air conditioner                         |
|     | 1    | (600001- ) | H113565  | Compressor, air conditioner                         |
| 3   | 1    |            | H86271   | Fan   |
| 4   | 1    |            | H86273   | Rotary screen drive shaft                           |



| 8820 |      | Engine Drive    |          |                                      |
|------|------|-----------------|----------|--------------------------------------|
| Key  | Qty. | Serial No.      | Part No. | Description                          |
| 1    | 1    |                 | AH96333  | Fan and hydraulic pump (matched set) |
| 2    | 1    | ( -615400)      | R71603   | Compressor                           |
|      | 1    | (615401 - )     | H122149  | Compressor                           |
| 3    | 1    |                 | H86273   | Rotary screen                        |
| 4    | 1    | ( -464350)      | H79236   | Alternator and water pump            |
|      | 1    | (464351-620400) | H86271   | Alternator and water pump            |



| 6620, 7720, 8820 |      | Rotary Screen |          |               |
|------------------|------|---------------|----------|---------------|
| Key              | Qty. | Serial No.    | Part No. | Description   |
| 1                | 1    |               | H86259   | Rotary screen |

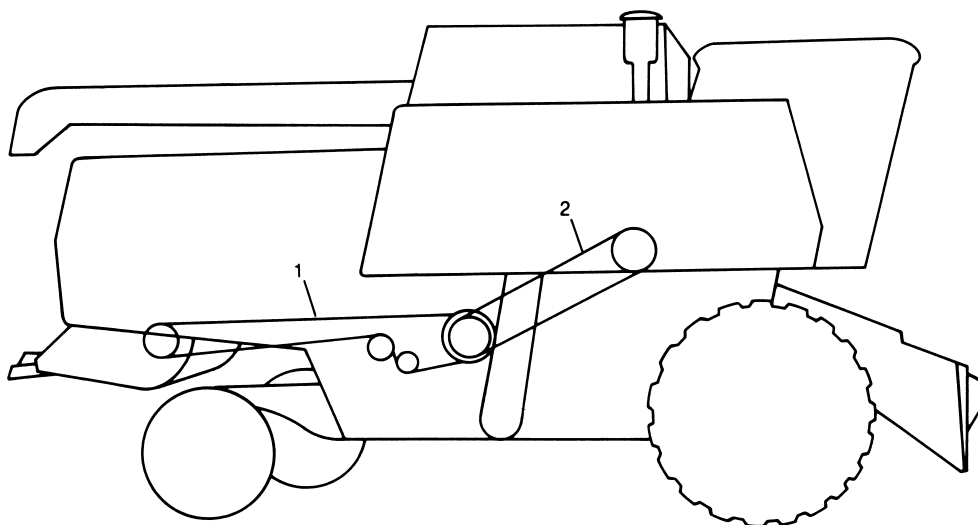


**6620, 7720 | Dip and Pour Elevator Drive**

| Key | Qty. | Serial No. | Part No. | Description   |
|-----|------|------------|----------|---|
| 1   | 1    |            | P49415   | Drive, upper countershaft 2,480 mm (97-3/4-in. long)    |
| 2   | 1    |            | E60212   | Drive, lower countershaft 2,650 mm (104-13/64-in. long) |

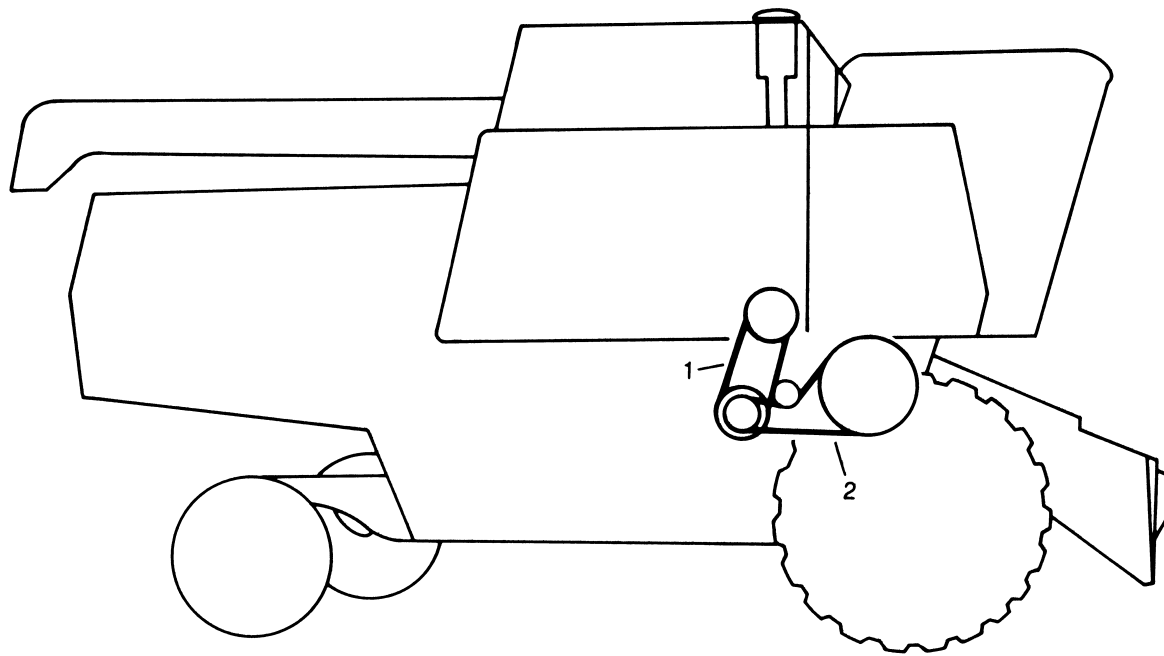
**8820**

Not Applicable



**6620, 7720, 8820 | Straw Chopper Drive**

| Key | Qty. | Serial No. | Part No. | Description              |
|-----|------|------------|----------|--------------------------|
| 1   | 1    |            | H103344  | Rear straw chopper drive |
| 2   | 1    |            | H101436  | Straw chopper drive      |



**6620 Primary Countershaft to Cylinder Drive**

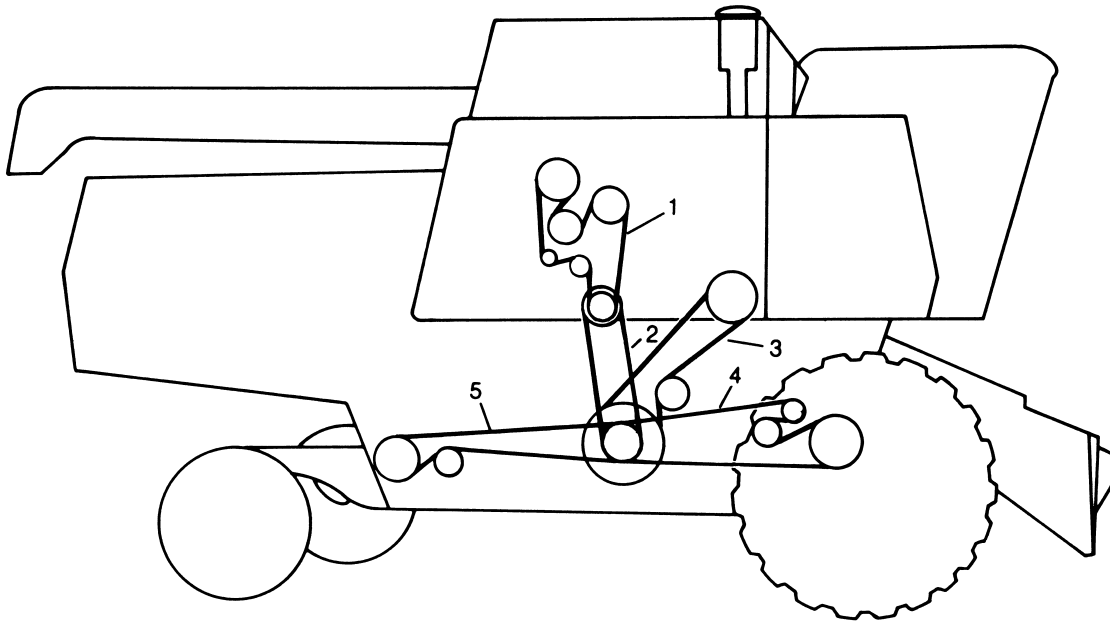
| Key | Qty. | Serial No.  | Part No. | Description  |
|-----|------|-------------|----------|--|
| 1   | 1    |             | H113749  | Drive, torque-sensing countershaft                                     |
| 2   | 1    | ( -551900 ) | H96408   | Cylinder, 3-banded<br>(390 to 1,030 RPM or 450 to 1,200 RPM)           |
|     | 1    | ( -551900 ) | H96423   | Cylinder, 3-banded (315 to 830 RPM)                                    |
|     | 1    | (551901- )  | H96422   | Cylinder, 4-banded (optional)<br>(280 to 560 RPM and 500 to 1,000 RPM) |
|     | 1    | (551901- )  | H110375  | Cylinder, 4-banded (standard)<br>(350 to 700 RPM and 620 to 1,240 RPM) |

**6620 Countershaft to Cylinder Drive**

| Key | Qty. | Serial No.  | Part No. | Description  |
|-----|------|-------------|----------|--|
| 1   | 1    |             | H113749  | Drive, torque-sensing countershaft                                     |
| 2   | 1    | ( -556300 ) | H96408   | Cylinder, 3-banded<br>(390 to 1,030 RPM or 450 to 1,200 RPM)           |
|     | 1    | ( -556300 ) | H96423   | Cylinder, 3-banded (315 to 830 RPM)                                    |
|     | 1    | (556301- )  | H96422   | Cylinder, 4-banded (optional)<br>(280 to 560 RPM and 500 to 1,000 RPM) |
|     | 1    | (556301- )  | H110375  | Cylinder, 4-banded (standard)<br>(350 to 700 RPM and 620 to 1,240 RPM) |

**8820**

| Key | Qty. | Serial No.  | Part No. | Description  |
|-----|------|-------------|----------|--|
| 1   | 1    |             | H113749  | Drive, torque-sensing countershaft                                     |
| 2   | 1    |             | H96422   | Cylinder, 4-banded<br>(390 to 1,030 RPM or 450 to 1,200 RPM)           |
|     | 1    | ( -564100 ) | H96421   | Cylinder, 4-banded (315 to 830 RPM)                                    |
|     | 1    | (564101- )  | H96422   | Cylinder, 4-banded (optional)<br>(280 to 560 RPM and 500 to 1,000 RPM) |
|     | 1    | (564101- )  | H110375  | Cylinder, 4-banded (standard)<br>(350 to 700 RPM and 620 to 1,240 RPM) |



**6620 Clean Grain Elevator, Loading Auger Drive, Primary Countershaft to Secondary Countershaft, Tailings Auger and Shoe Grain Supply Auger Drives**

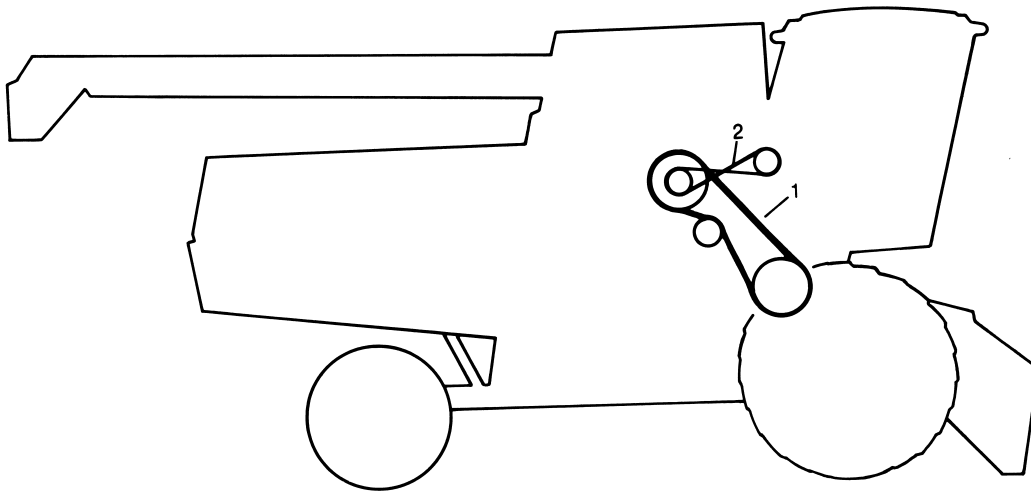
| Key | Qty. | Serial No.  | Part No. | Description   |
|-----|------|-------------|----------|---|
| 1   | 1    |             | H77766   | Drive, clean grain elevator and loading auger drive |
| 2   | 1    |             | H27433   | Clean grain elevator countershaft                   |
| 3   | 1    | ( -551900 ) | H81222   | Drive, secondary countershaft                       |
|     |      | (551901- )  | H110300  | Drive, secondary countershaft                       |
| 4   | 1    |             | H77010   | Drive, shoe supply augers                           |
| 5   | 1    |             | H118730  | Drive, tailings auger                               |

**7720**

| Key | Qty. | Serial No.  | Part No. | Description   |
|-----|------|-------------|----------|---|
| 1   | 1    |             | H77766   | Drive, clean grain elevator and loading auger drive |
| 2   | 1    |             | H27433   | Clean grain elevator countershaft                   |
| 3   | 1    | ( -556300 ) | H81222   | Drive, secondary countershaft                       |
|     |      | (556301- )  | H110300  | Drive, secondary countershaft                       |
| 4   | 1    |             | H77010   | Drive, shoe supply augers                           |
| 5   | 1    |             | H118730  | Drive, tailings auger                               |

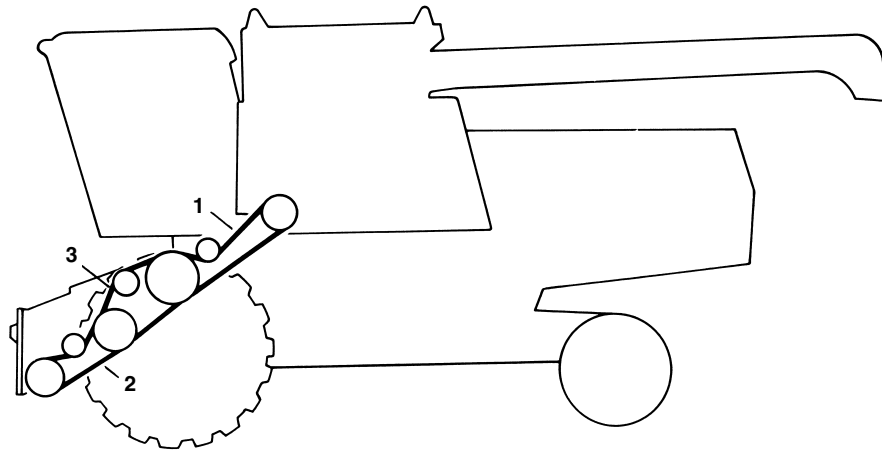
**8820**

| Key | Qty. | Serial No.  | Part No. | Description   |
|-----|------|-------------|----------|---|
| 1   | 1    |             | H77766   | Drive, clean grain elevator and loading auger drive |
| 2   | 1    |             | H27433   | Clean grain elevator countershaft                   |
| 3   | 1    | ( -556100 ) | H81222   | Drive, secondary countershaft                       |
|     |      | (556101- )  | H110300  | Drive, secondary countershaft                       |
| 4   | 1    |             | H77010   | Drive, shoe supply augers                           |
| 5   | 1    |             | H118730  | Drive, tailings auger                               |



**6620, 7720, 8820 | Beater and Cylinder Tachometer**

| Key | Qty. | Serial No. | Part No. | Description   |
|-----|------|------------|----------|---|
| 1   | 1    |            | H96414   | Beater (100 percent beater speed)<br>(corn and bean)  |
|     | 1    |            | H101469  | Beater (150 percent beater speed)<br>(grain and rice) |
| 2   | 1    |            | H83077   | Cylinder tachometer O-ring                            |

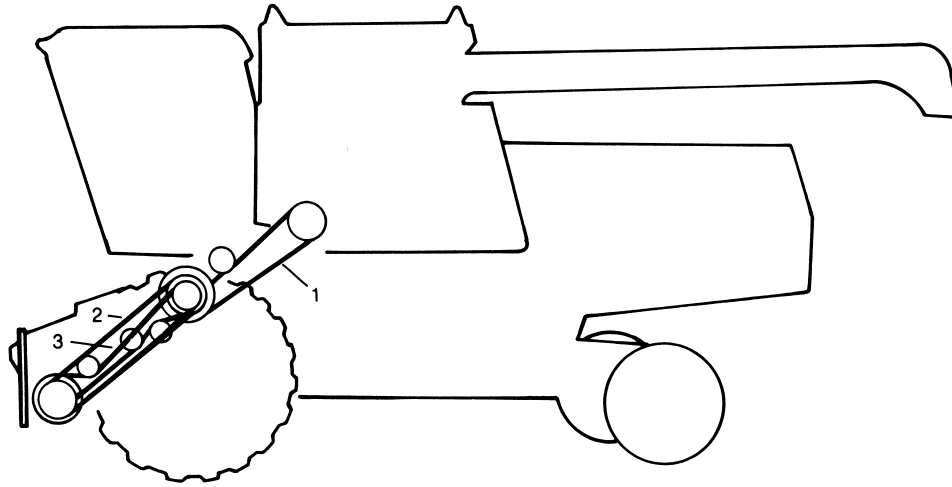


**6620 | Feeder House Drive (Sidehill)**

| Key | Qty. | Serial No. | Part No. | Description                |
|-----|------|------------|----------|----------------------------|
| 1   | 1    | ( -610300) | H23927   | Feeder house drive         |
| 2   | 1    | ( -610300) | AH89436  | Multi-groove (matched set) |
| 3   | 1    | ( -610300) | H84441   | Upper                      |

**7720, 8820**

Not applicable

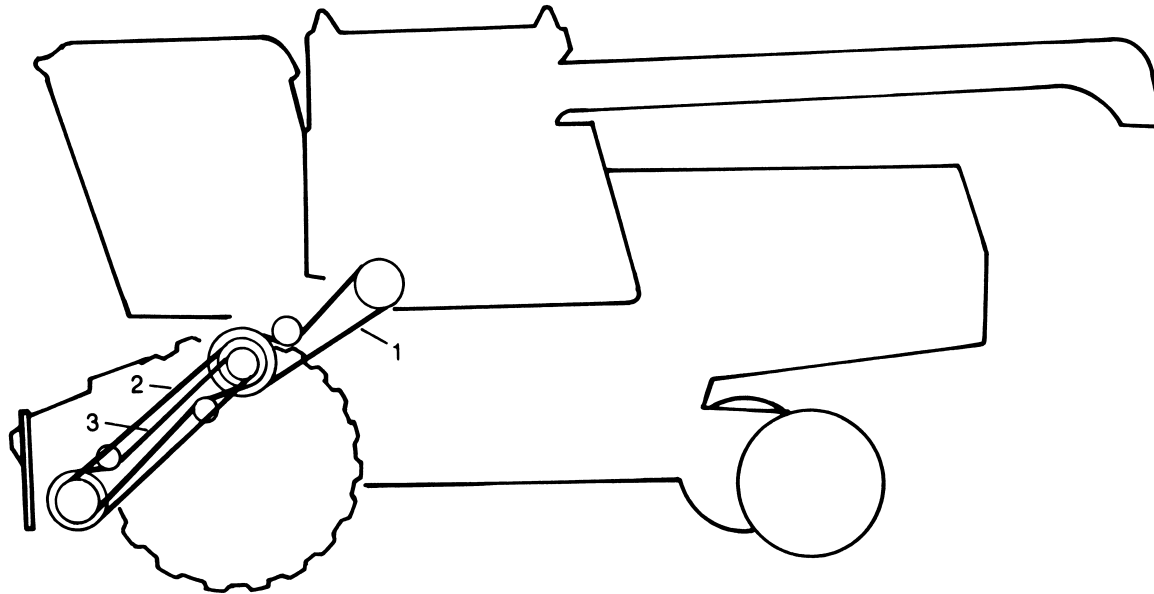


**6620 | Feeder House Drive (long)**

| Key | Qty. | Serial No. | Part No. | Description              |
|-----|------|------------|----------|--------------------------|
| 1   | 1    | ( -403300) | H76030   | Feeder house drive       |
| 2   | 1    | ( -403300) | H125380  | Feeder conveyor drive    |
| 3   | 1    | ( -403300) | H79796   | Feeder house lower drive |

**7720, 8820**

| Key | Qty. | Serial No. | Part No. | Description              |
|-----|------|------------|----------|--------------------------|
| 1   | 1    | ( -409100) | H76030   | Feeder house drive       |
| 2   | 1    | ( -409100) | H125380  | Feeder conveyor drive    |
| 3   | 1    | ( -409100) | H79796   | Feeder house lower drive |



**6620 | Feeder House Drive (regular fixed)**

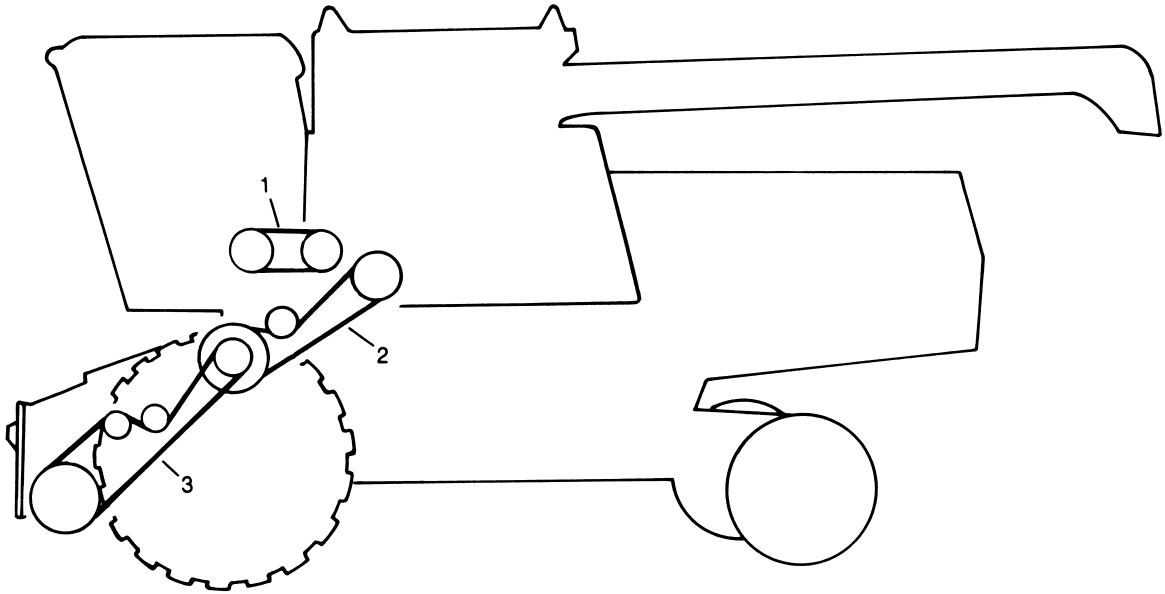
| Key | Qty. | Serial No. | Part No. | Description           |
|-----|------|------------|----------|-----------------------|
| 1   | 1    | ( -502550) | H76030   | Feeder house drive    |
| 2   | 1    | ( -502550) | H77766   | Feeder conveyor drive |
| 3   | 1    | ( -502550) | H77765   | Lower drive           |

**7720**

| Key | Qty. | Serial No. | Part No. | Description           |
|-----|------|------------|----------|-----------------------|
| 1   | 1    | ( -507350) | H76030   | Feeder house drive    |
| 2   | 1    | ( -507350) | H77766   | Feeder conveyor drive |
| 3   | 1    | ( -507350) | H77765   | Lower drive           |

**8820**

Not applicable



**6620 Unloading Auger Drive, Feeder House Drive (long, regular)**

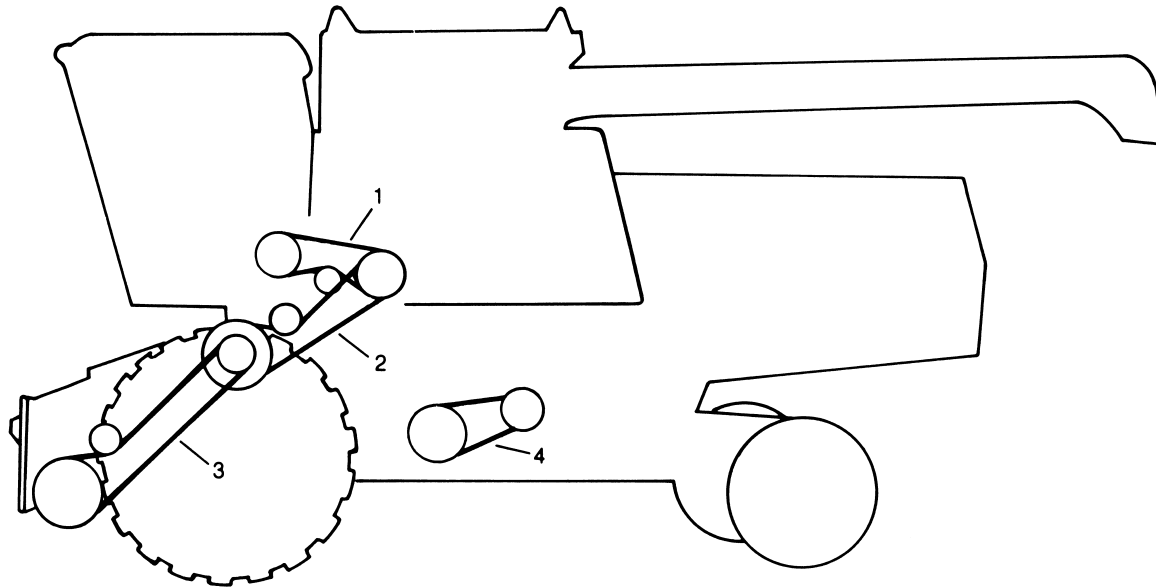
| Key | Qty. | Serial No.      | Part No. | Description                        |
|-----|------|-----------------|----------|------------------------------------|
| 1   | 2    |                 | AH96300  | Unloading auger drive              |
| 2   | 1    |                 | H23927   | Feeder house drive                 |
| 3   | 1    | (403301- )      | H97929   | Feeder house lower drive (long)    |
|     | 1    | (502551-615100) | H111519  | Feeder house lower drive (regular) |

**7720**

| Key | Qty. | Serial No. | Part No. | Description                        |
|-----|------|------------|----------|------------------------------------|
| 1   | 2    |            | AH96300  | Unloading auger drive              |
| 2   | 1    |            | H23927   | Feeder house drive                 |
| 3   | 1    | (409101- ) | H97929   | Feeder house lower drive (long)    |
|     | 1    | (507351- ) | H111519  | Feeder house lower drive (regular) |

**8820**

| Key | Qty. | Serial No. | Part No. | Description              |
|-----|------|------------|----------|--------------------------|
| 1   | 2    |            | AH96300  | Unloading auger drive    |
| 2   | 1    |            | H23927   | Feeder house drive       |
| 3   | 1    | (414851- ) | H97929   | Feeder house lower drive |



**6620 Feeder House Drive (regular fixed less reverser), Separator Drive, Cleaning Fan Drive**

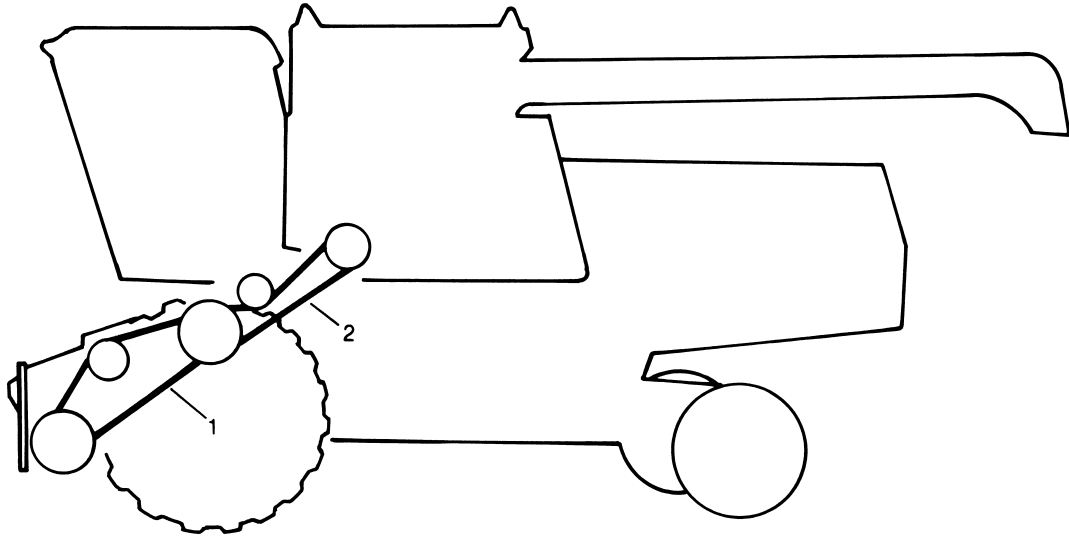
| Key | Qty. | Serial No. | Part No. | Description                  |
|-----|------|------------|----------|------------------------------|
| 1   | 1    |            | H108175  | Multi-groove separator drive |
| 2   | 1    | (615101- ) | H76030   | Feeder house drive           |
| 3   | 1    | (615101- ) | Z30130   | Lower drive                  |
| 4   | 1    |            | H108668  | Cleaning fan drive           |

**7720**

| Key | Qty. | Serial No. | Part No. | Description                  |
|-----|------|------------|----------|------------------------------|
| 1   | 1    |            | H108175  | Multi-groove separator drive |
| 2   | 1    | (615201- ) | H76030   | Feeder house drive           |
| 3   | 1    | (615201- ) | Z30130   | Lower drive                  |
| 4   | 1    |            | H108669  | Cleaning fan drive           |

**8820**

| Key | Qty. | Serial No. | Part No. | Description                  |
|-----|------|------------|----------|------------------------------|
| 1   | 1    |            | H108175  | Multi-groove separator drive |
| 2   | 1    | ( -414850) | H76030   | Feeder house drive           |
| 3   | 1    |            | H79796   | Lower drive                  |
| 4   | 1    |            | H108669  | Cleaning fan drive           |

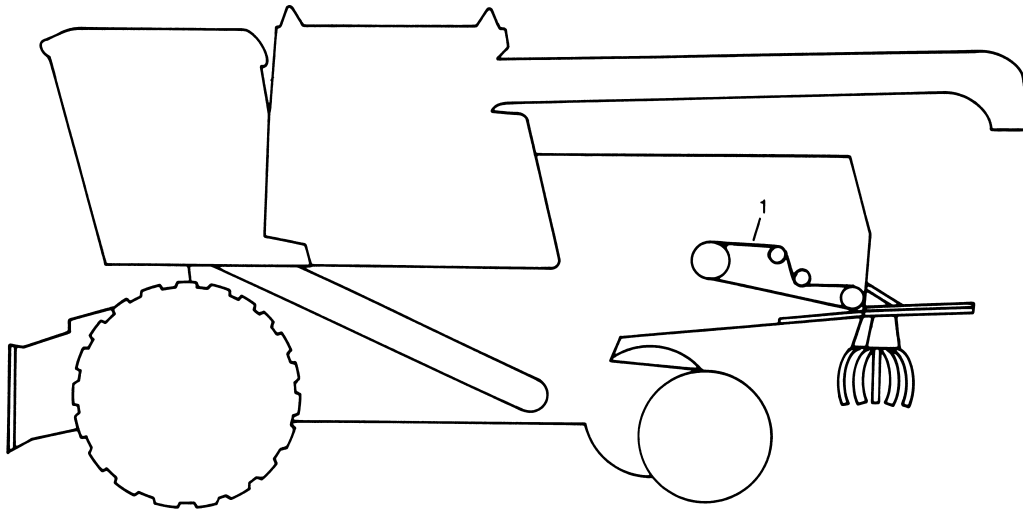


**6620 Feeder House (variable drive)**

| Key | Qty. | Serial No. | Part No. | Description                 |
|-----|------|------------|----------|-----------------------------|
| 1   | 1    |            | H110921  | Feeder house drive conveyor |
|     | 1    | (610301 )  | H116422  | Sidehill                    |
| 2   | 1    |            | H23927   | Feeder house drive          |

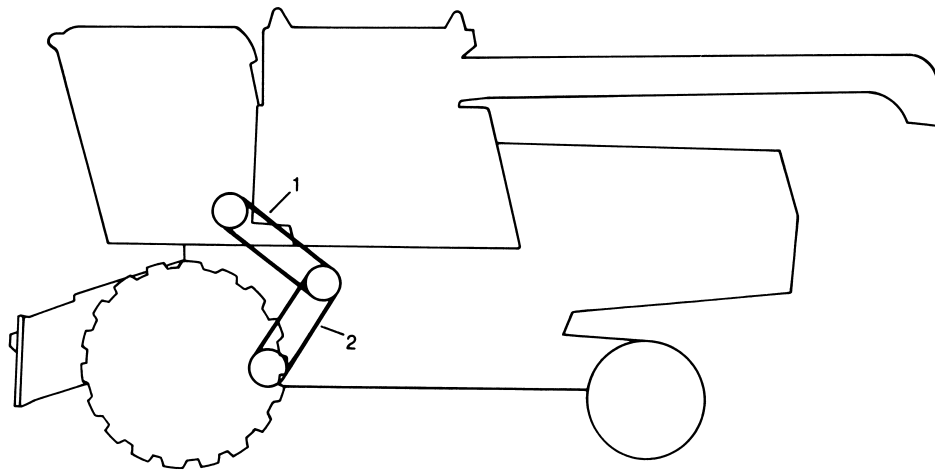
**7720, 8820**

| Key | Qty. | Serial No. | Part No. | Description                 |
|-----|------|------------|----------|-----------------------------|
| 1   | 1    |            | H110921  | Feeder house drive conveyor |
| 2   | 1    |            | H23927   | Feeder house drive          |



**6620, 7720, 8820 | Straw Spreader Drive**

| Key | Qty. | Serial No. | Part No. | Description                |
|-----|------|------------|----------|----------------------------|
| 1   | 1    |            | H112421  | Front straw spreader drive |

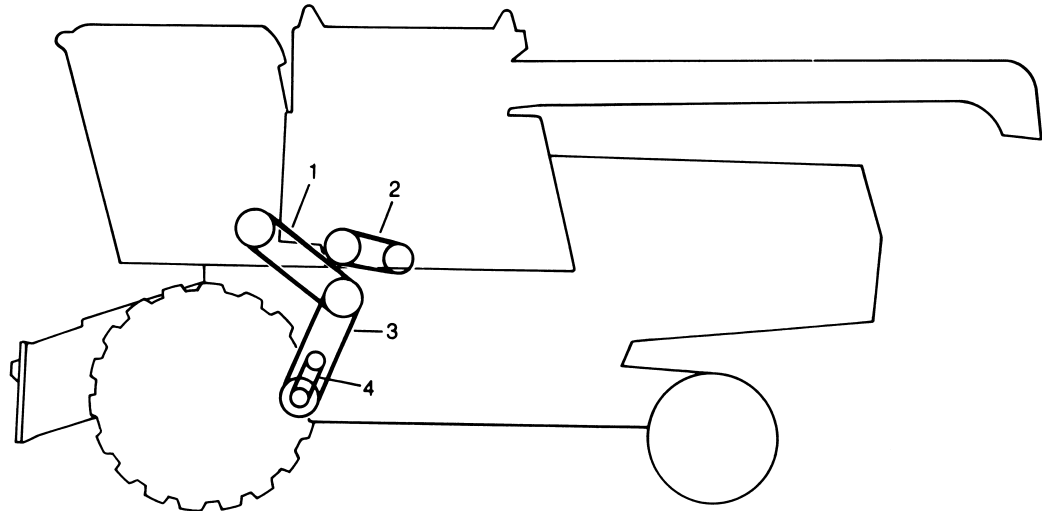


**6620, 7720 | Posi-Torq™ Ground Drive**

| Key | Qty. | Serial No. | Part No. | Description                      |
|-----|------|------------|----------|----------------------------------|
| 1   | 1    |            | AH87127  | Upper ground drive (matched set) |
| 2   | 1    |            | H75846   | Lower ground drive               |

**8820**

Not applicable



**6620 Hydrostatic Ground Drive and Primary Countershaft to Hydraulic Reel Drive**

| Key | Qty. | Serial No.  | Part No. | Description                                  |
|-----|------|-------------|----------|--|
| 1   | 1    |             | AH84633  | Upper ground drive (matched set)             |
| 2   | 1    | ( -625100 ) | H86275   | Primary countershaft to hydraulic reel drive |
|     | 1    | (625101- )  | H137207  | Primary countershaft to hydraulic reel drive |
| 3   | 1    |             | AH84633  | Lower ground drive (matched set)             |
| 4   | 1    | ( -610300 ) | T199T    | Drive, hydrostatic charge pump               |
|     | 1    | (610301- )  | T32517   | Drive, hydrostatic charge pump               |

**7720**

| Key | Qty. | Serial No.  | Part No. | Description                                  |
|-----|------|-------------|----------|--|
| 1   | 1    |             | AH84633  | Upper ground drive (matched set)             |
| 2   | 1    | ( -625200 ) | H86275   | Primary countershaft to hydraulic reel drive |
|     | 1    | (625201- )  | H137207  | Primary countershaft to hydraulic reel drive |
| 3   | 1    |             | AH84633  | Lower ground drive (matched set)             |
| 4   | 1    | ( -556300 ) | T199T    | Drive, hydrostatic charge pump               |
|     | 1    | (556301- )  | T32517   | Drive, hydrostatic charge pump               |

**8820**

| Key | Qty. | Serial No.  | Part No. | Description                                  |
|-----|------|-------------|----------|--|
| 1   | 1    |             | AH84633  | Upper ground drive (matched set)             |
| 2   | 1    | ( -625400 ) | H86275   | Primary countershaft to hydraulic reel drive |
|     | 1    | (625401- )  | H137207  | Primary countershaft to hydraulic reel drive |
| 3   | 1    |             | AH84633  | Lower ground drive (matched set)             |
| 4   | 1    |             | T32517   | Drive, hydrostatic charge pump               |