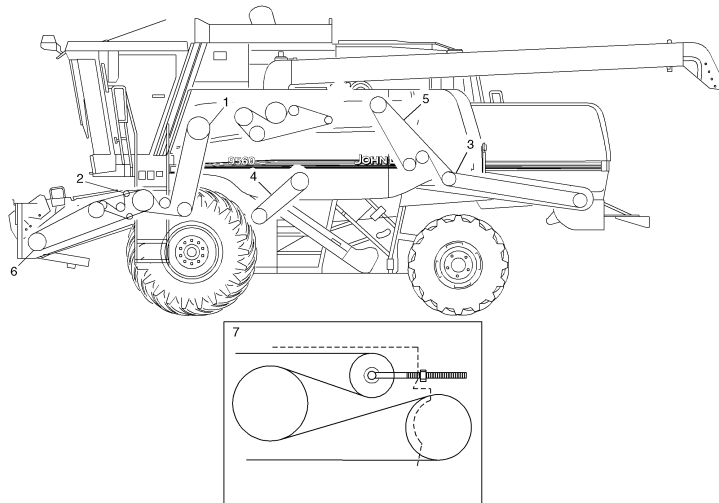


**Cooling Fan, Rotary Screen, Rotary Screen Drive, Clean Grain Elevator, Cylinder Intermediate Drive, Cylinder Drive, Lower Tailings Auger and Elevator**

Key	Qty.	Serial No.	Part No.	Description
1	1		H175467	Cooling fan
2	1		H175632	Rotary screen
3	1		H177589	Rotary screen drive
4	1		H141166	Clean grain elevator
5	1		H210476	Cylinder intermediate drive
6	1		H115881	Cylinder drive (240 - 960 RPM)
	1		H118618	Cylinder drive (150 - 500 RPM)
7	1		N110085	Lower tailings auger and elevator

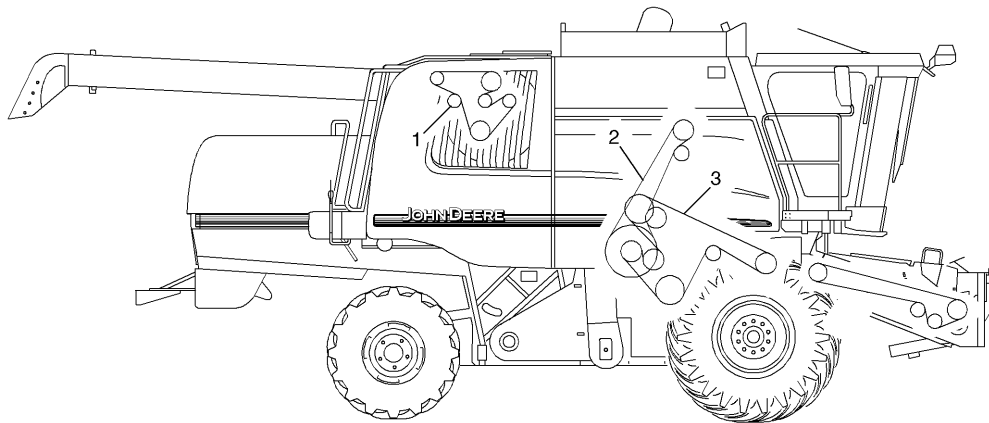


**9560 Header and Reel Pump, Air Flow Drive, Straw Chopper, Cleaning Fan, Variable Speed Feeder House**

Key	Qty.	Serial No.	Part No.	Description
1	1		H151952	Header and reel pump (standard capacity)
	1		H155998	Header and reel pump (high capacity)
2	1		H171386	Air flow drive
3	1		H175434	Straw chopper (fine cut)
	1		H160654	Straw chopper (standard)
	1		H23950	Straw chopper (standard baling)
	1		H22529	Straw chopper (windrow)
4	1		H152146	Cleaning fan (750 - 1,350 RPM)
	1		H152180	Cleaning fan (490 - 980 RPM)
5	1		H157726	Straw chopper (front)
6	1		H203393	Variable speed feeder house (standard capacity)
	1		H218728	Variable speed feeder house (high capacity)
7	1		H128234	Straw spreader

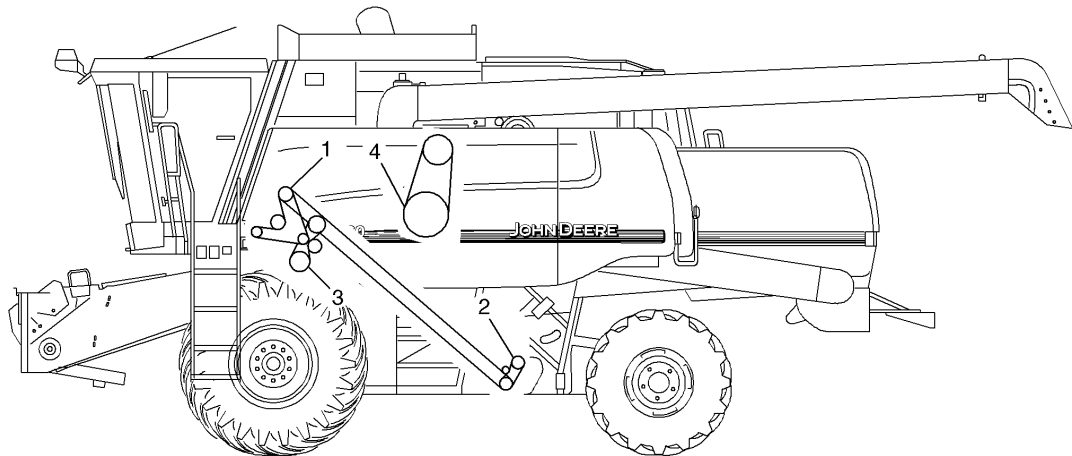
**9560SH**

Key	Qty.	Serial No.	Part No.	Description
1	1		H151952	Header and reel pump (standard capacity)
3	1		H175434	Straw chopper (fine cut)
	1		H160654	Straw chopper (standard)
	1		H23950	Straw chopper (standard baling)
	1		H22529	Straw chopper (windrow)
4	1		H152146	Cleaning fan (750 - 1,350 RPM)
	1		H152180	Cleaning fan (490 - 980 RPM)
5	1		H157726	Straw chopper (front)
6	1		H203393	Variable speed feeder house (standard capacity)
7	1		H128234	Straw spreader



**Alternator, Secondary Countershaft, Shoe, Walker, and Conveyor Augers**

Key	Qty.	Serial No.	Part No.	Description
1	1		R500380	Alternator (95 amp)
	1		H205240	Alternator (185 amp)
2	1		H128010	Secondary countershaft
3	1		H131169	Shoe, walker, and conveyor augers



**Upper Tailings Auger Chains, Lower Tailings Auger, Beater Drive, Unloading System**

Key	Qty.	Serial No.	Part No.	Description
1	1		AH126007	Upper tailings auger chain
2	1		AH126239	Lower tailings auger chain
3	1		AH163931	Beater drive (75 percent)
	1		AH139436	Beater drive (100 percent)
4	1		AH158880	Unloading system