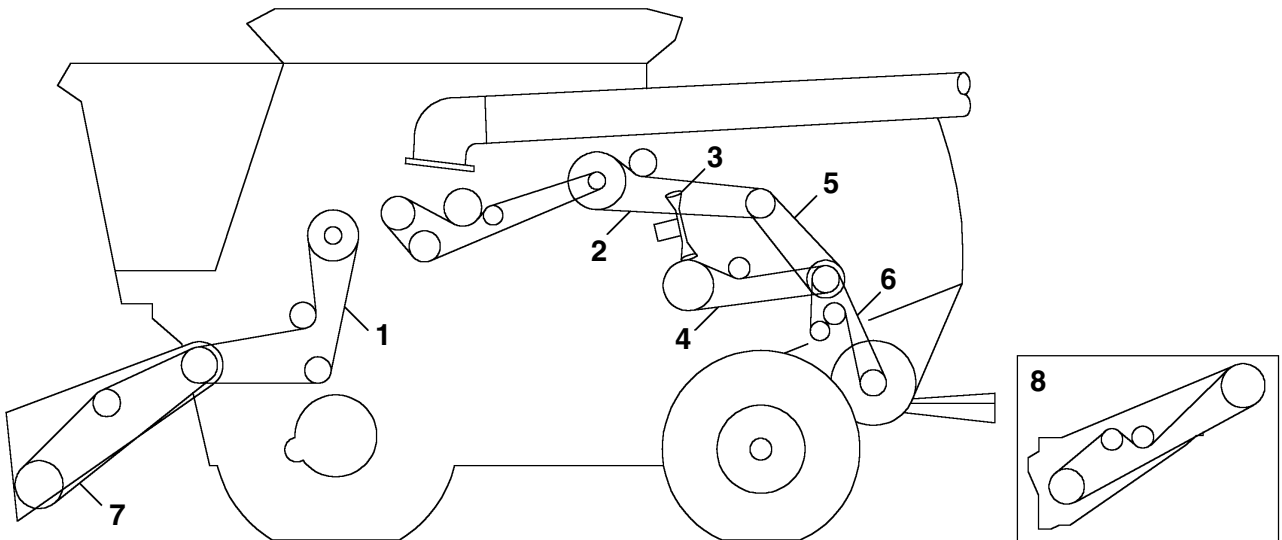


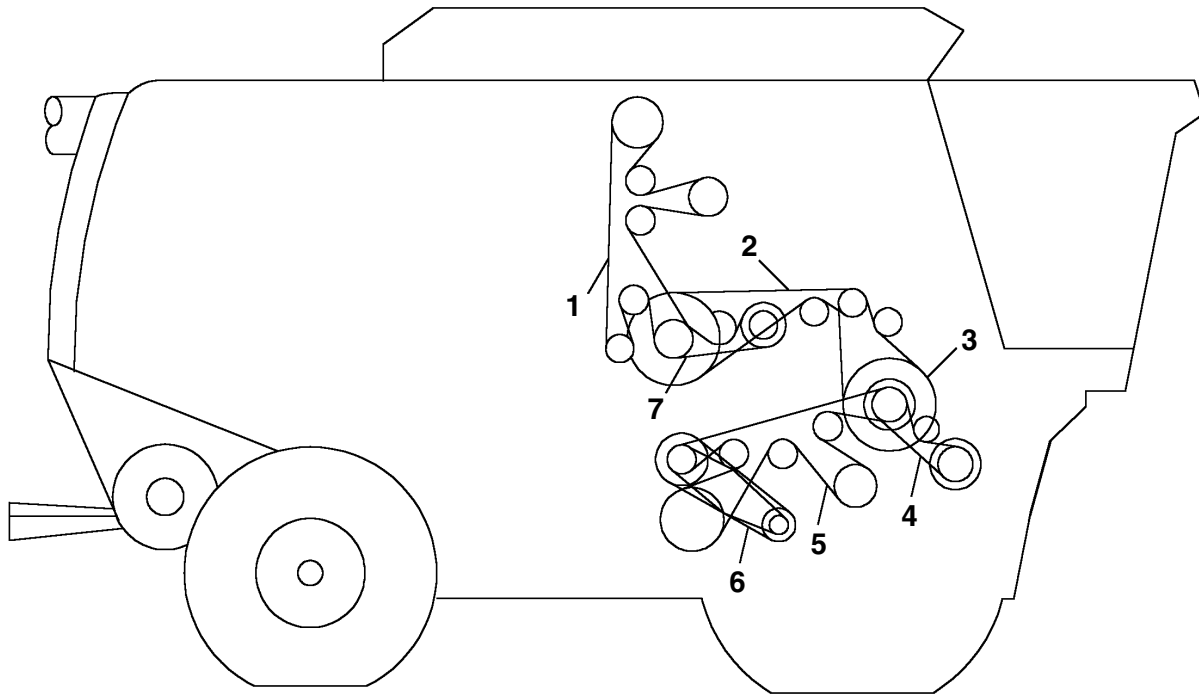
**Rotary Screen Drive and Alternator**

Key	Qty.	Serial No.	Part No.	Description
1	1	( -695600 )	H157105	Rotary screen drive (screen side)
	1	( 695601- )	H175628	Rotary screen drive (screen side)
2	1	( -695600 )	H157104	Rotary screen drive (engine side)
	1	( 695601- )	H206807	Rotary screen drive (engine side)
3	1		R135606	Alternator (95 amp)
	1		R135609	Alternator (185 amp)



**Header and Reel Pump, Unloading Auger, STS Variable Drive, Discharge Beater, Straw Chopper, Feeder House**

Key	Qty.	Serial No.	Part No.	Description
1	1		H156796	Header and reel pump (standard)
	1		H156541	Header and reel pump (high-capacity)
2	1		AH160080	Unloading auger system
3	1		H169449	STS variable drive
	1		H207851	STS variable drive (Canada)
4	1		H168301	Discharge beater
5	1		H157514	Countershaft, discharge beater and chopper
	1		H201596	Countershaft, discharge beater and chopper (Canada)
6	1	( -700499 )	H201571	Straw chopper
	1	( 700500- )	H204747	Straw chopper
	1		H217252	Straw chopper (Canada)
7	1	( -695600 )	H157732	Variable drive feeder house (standard)
	1	( 695601- )	H205169	Variable drive feeder house (standard)
	1		H218726	Variable drive feeder house (high-capacity)
8	1	( -695600 )	H111519	Fixed speed feeder house
	1	( 695601- )	H125565	Fixed speed feeder house



**Clean Grain Elevator, Jackshaft, Feed Accelerator, Shoe Fan and Conveyor Augers, Cleaning Fan, and Tailing Augers and Elevator**

Key	Qty.	Serial No.	Part No.	Description
1	1		H218645	Clean grain elevator
2	1		H154723	R.H. jackshaft (powershaft to elev. jackshaft)
3	1		AH150678	R.H. jackshaft (powershaft to feed acc. jackshaft)
4	1	(715301- )	H211581	Feed accelerator (standard)
		( -715300)	H221731	Feed accelerator (standard)
	1		H221732	Feed accelerator (rice and slow-down)
	1		H221733	Feed accelerator high-capacity (Canada)
5	1		H175587	Shoe fan and conveyor augers
6	1		H165072	Cleaning fan
7	1		H154731	Tailings auger and elevator