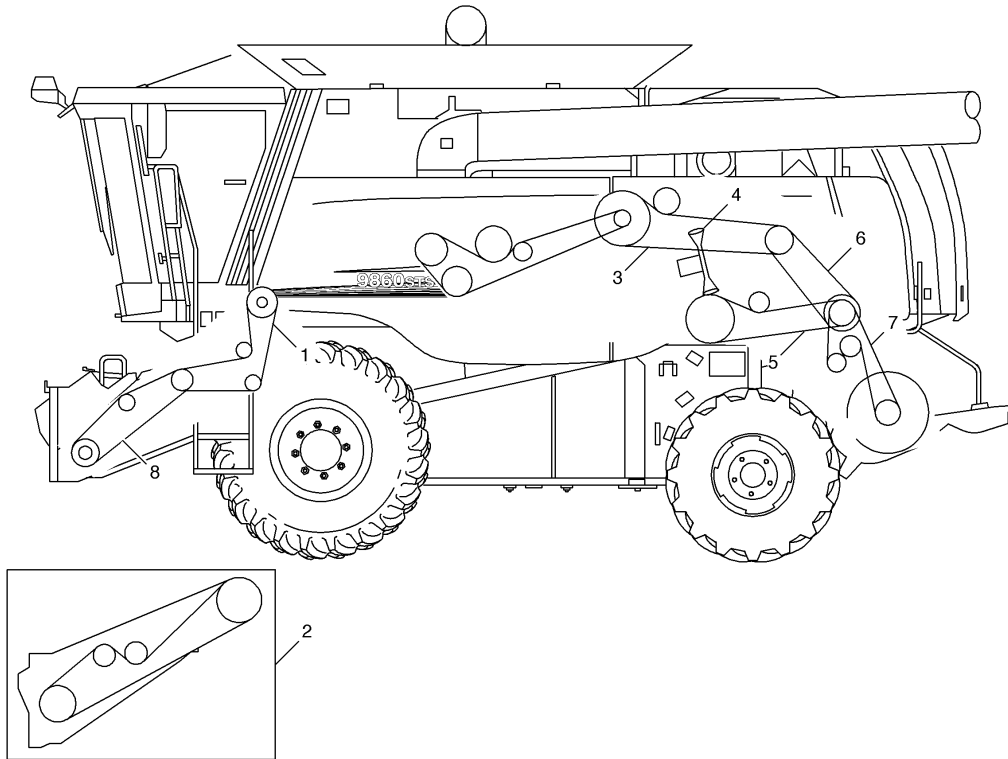


Clean Grain Elevator, Jackshaft, Feed Accelerator, Shoe Fan and Conveyor Augers, Cleaning Fan, Tailings Auger and Elevator

Key	Qty.	Serial No.	Part No.	Description
1	1		H218645	Clean grain elevator
2	1		H154723	R.H. jackshaft, rear
3	1		AH150678	R.H. jackshaft, front
	1		A-C144	R.H. jackshaft, front (edible bean)
4	1	(715301-)	H211581	Feed accelerator, standard speed
		(-715300)	H221731	Feed accelerator, standard speed
	1		H221732	Feed accelerator, slow speed
	1		H221733	Feed accelerator, high speed
5	1		H175587	Shoe fan and conveyor augers
6	1		H206048	Cleaning fan
	1		H211601	Cleaning fan, slow speed
7	1		H154731	Tailings auger and elevator
	1		A-C72	Tailings auger and elevator (edible bean)



Header and Reel Pump, Fixed Speed Feeder House, Extra Heavy-Duty, Unloading Auger System, Variable Rotor Drive, Discharge Beater, Countershaft, Straw Chopper, Variable Drive Feeder House

Key	Qty.	Serial No.	Part No.	Description
1	1		H156796	Header and reel pump (standard capacity)
	1		H156541	Header and reel pump (high capacity)
2	1		H203474	Fixed speed feeder house
	1		H174885	Fixed speed feeder house, extra heavy-duty
3	1		AH160080	Unloading auger system
4	1	(-705797)	H207851	Variable rotor drive
	1	(705798-)	H208431	Variable rotor drive
5	1		H168301	Discharge beater
6	1		H201596	Countershaft, discharge beater and chopper
7	1		H217352	Straw chopper
8	1		H218726	Variable drive feeder house