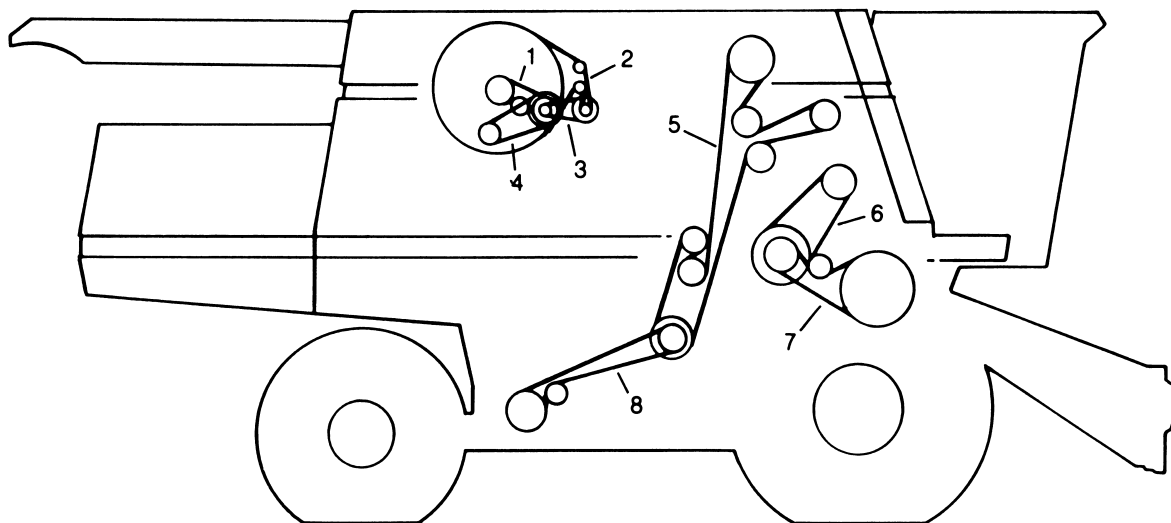


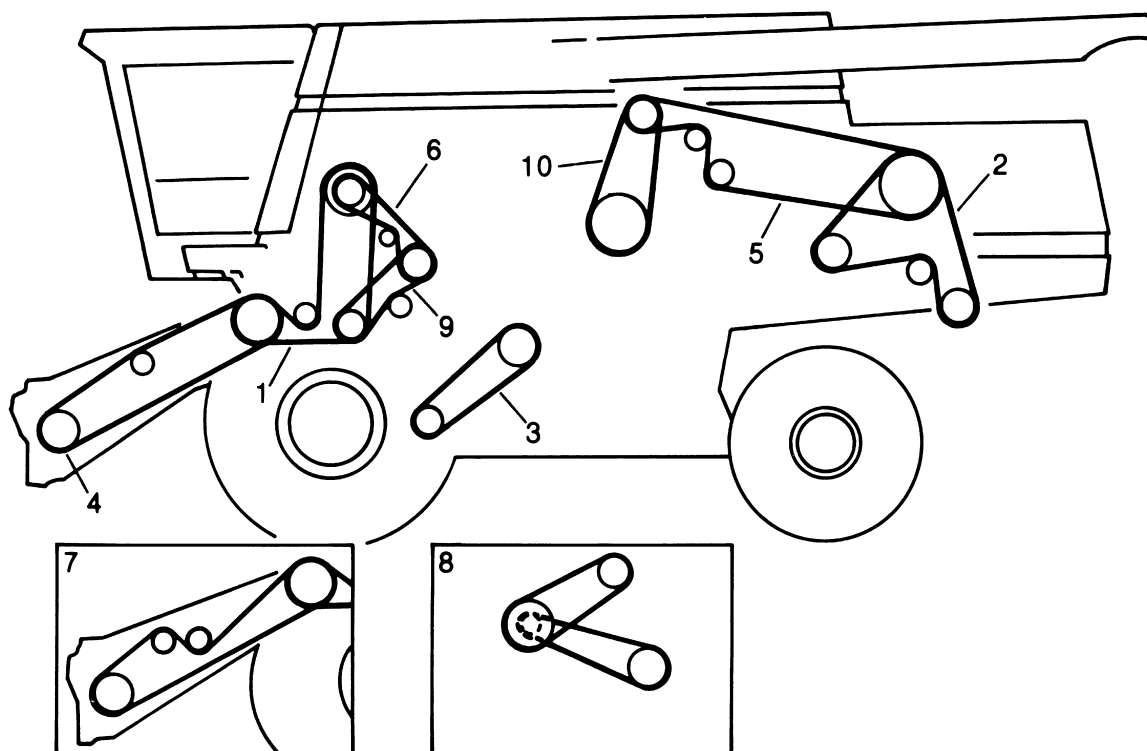
Alternator, Secondary Countershaft, Feeder Conveyor, Shoe, Straw Walker and Conveyor Augers

Key	Qty.	Serial No.	Part No.	Description
1	1		H101813	For alternator
2	1		H128010	Secondary countershaft
3	1		H131169	Shoe, straw walker and conveyor augers



Cooling Fan, Rotary Screen Air Conditioning, Clean Grain Elevator, Cylinder Intermediate Drive, Cylinder Drive and Lower Tailings Auger and Elevator

Key	Qty.	Serial No.	Part No.	Description
1	1		H153297	Cooling fan
2	1		H143869	Round belt
3	1		H134216	Rotary screen drive
4	1		H134437	Air conditioning compressor
5	1		H141167	Clean grain elevator
6	1		H210476	Cylinder intermediate drive
7	1		H115881	Cylinder drive regular dual-range and single-range
	1		H118618	Cylinder drive slow speed
8	1		N110085	Lower tailings auger and elevator



Left-Hand Side

Key	Qty.	Serial No.	Part No.	Description
1	1		H151952	Front end equipment drive
2	1		H168301	Front (for straw chopper) (for corn and grain)
3	1		H140404	Fan drive, regular speed (750-1,350 RPM)
	1		H137264	Fan drive, slow speed (490-980 RPM)
4	1		H161648	Variable speed feeder house with reverser
5	1		H141429	Separator drive
6	1		H143700	Beater drive
7	1		H126345	Fixed speed feeder house with reverser
8	1		E61326	Straw spreader
	1		P49604	Straw spreader
9	1		H139963	Stripper beater
10	1		AH158880	Unloading system